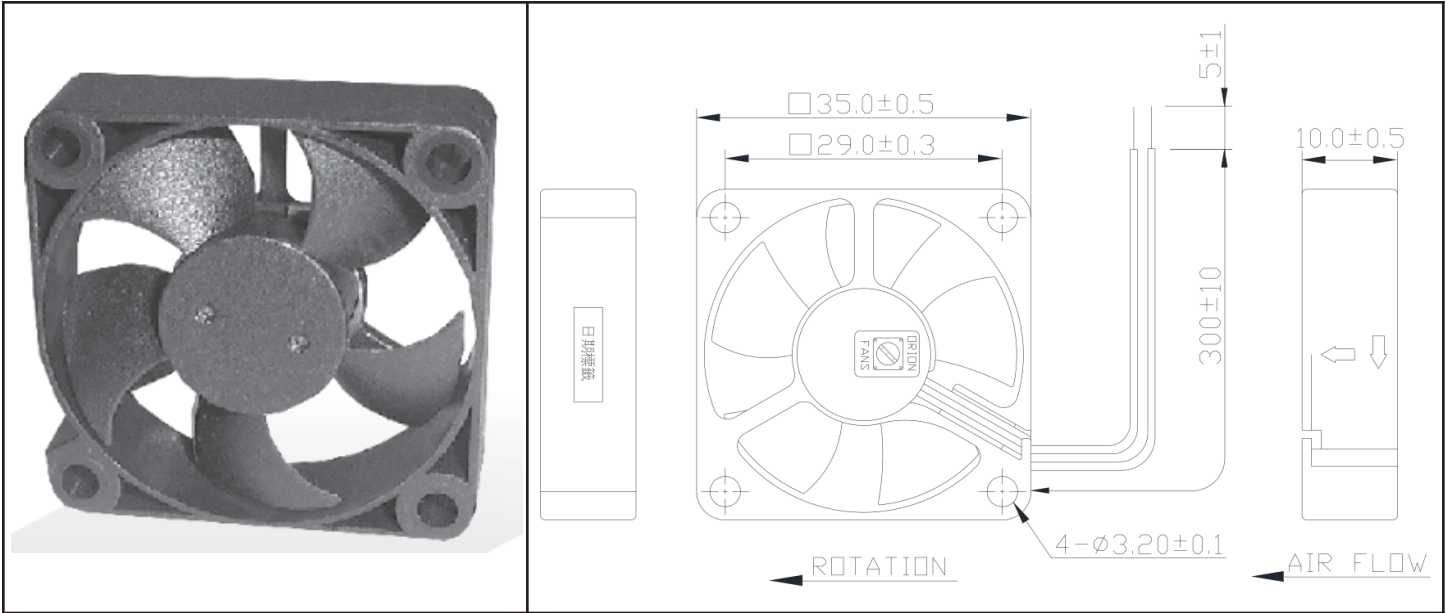


OD3510-05LL



DC Fan, 5 VDC
35x10mm (1.38x.39in)



Frame & Impeller	PBT, UL94V-0 plastic	Available Options IP55 Other speeds and voltages Tachometer Alarm *Connection: Wire Leads - UL1571 28AWG Red(+), Black (-), Weight: 9 g	
Connection	2x Lead wires *		
Motor	Brushless DC, auto restart, polarity protected.		
Bearing System	Dual ball bearing		
Insulation Resistance	Min. 10M at 500VDC		
Dielectric Strength	1 second at 500VAC max leakage 500 microamp		
Temperature Range	-10C ~ +70C		
Storage Temperature	-40C ~ +80C		
Life (L10)	70,000 hours (40C)		

Model Number	OD3510-05LLB
Part Number	135511001
Nominal Voltage	5 VDC
Voltage Range	4 ~ 5.5 VDC
Nominal Current	.06 A
Rated Power	.3 Watts
Rated Speed (RPM)	4500
Airflow (CFM)	3
Noise Level (dB)	17
Max. Static Pressure	.05 "H ₂ O

